

E300 Series Industrial PC



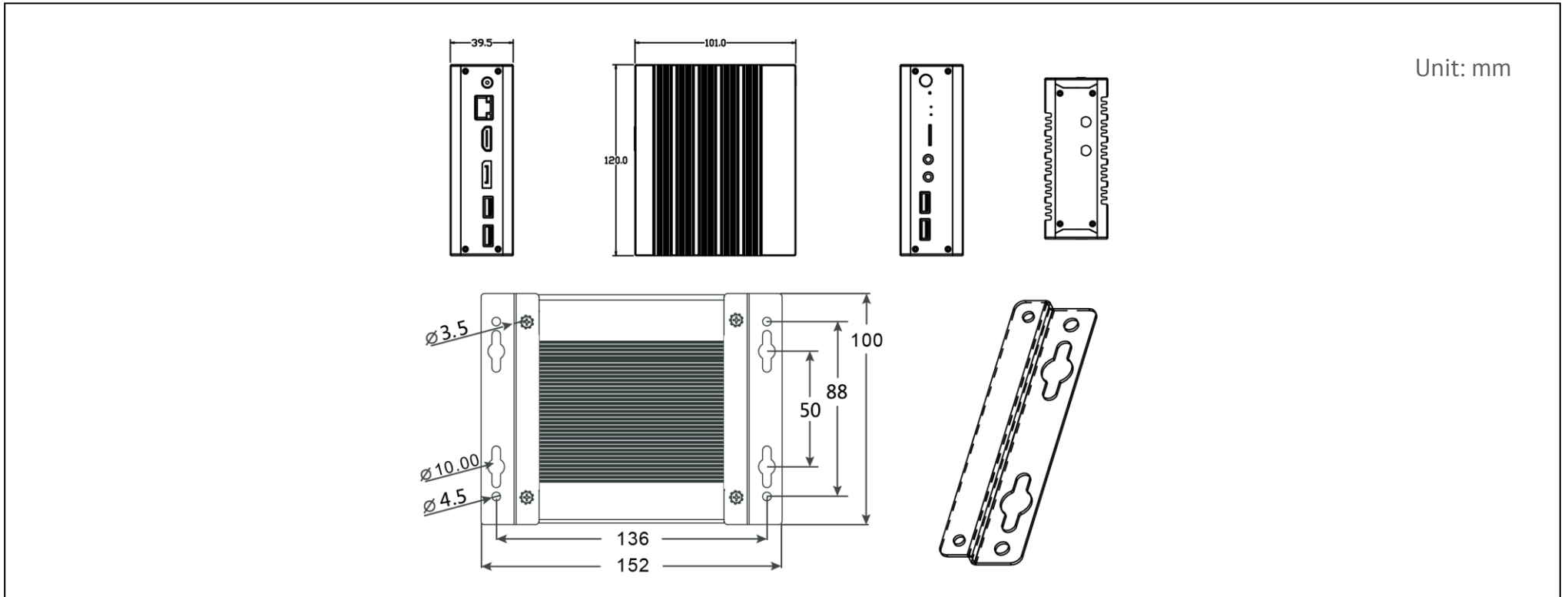
Features

- Intel® Pentium-N4200, Celeron-N3350/J3355/ J3455
- DDR3L up to 8GB
- 2 independent display via HDMI and DP
- 1 GbE LAN (RTL8111H)
- 1 RS-232 (Optional)
- 2 USB 2.0, 2 USB 3.0
- DC 12V
- Dimensions: 120 x 100 x 39mm
- CE/FCC Class B, ESD 8KV/15KV
- Windows 10, centos 7/8, ubuntu 18.04/20.04/22.04

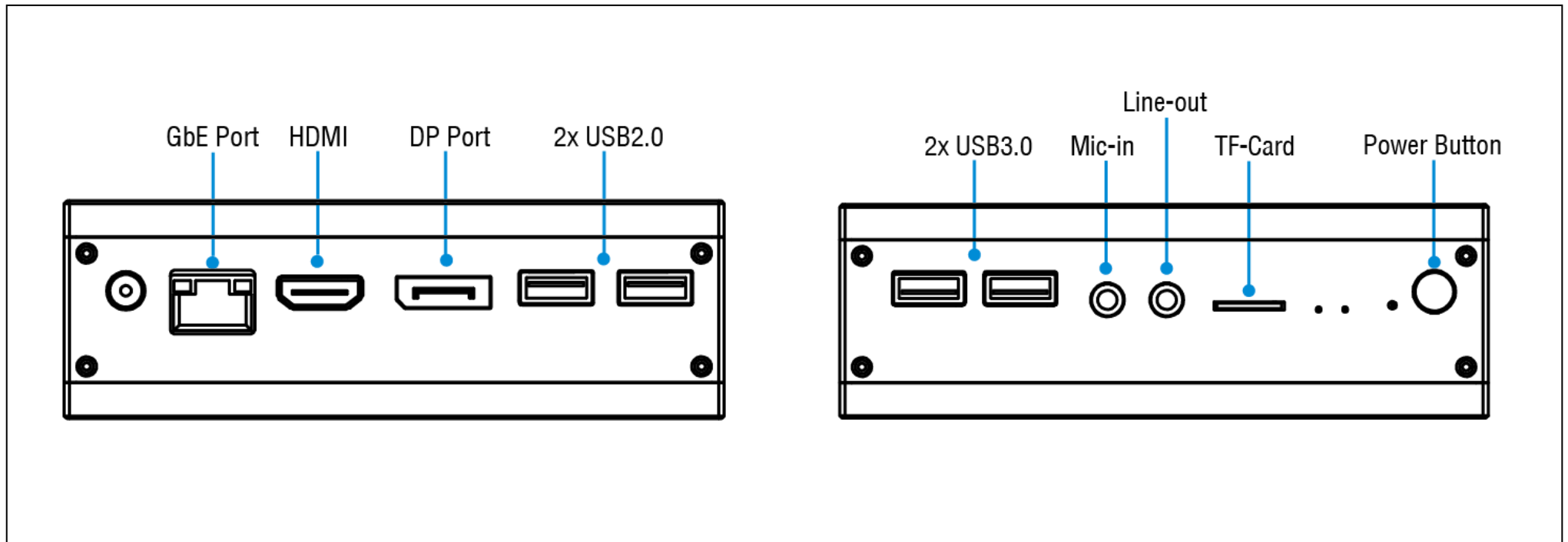
Specifications

| Item | Sub-Items | Descriptions |
|---------------------------------|----------------------------|--|
| Processor System | CPU | Intel Apollo Lake Pentium-N4200, Celeron-N3350/J3355/ J3455 |
| | BIOS | AMI 8Mb UEFI BIOS |
| Memory | Sockets | DDR3L 1600MHz |
| | Capacity | Max. 8GB |
| Graphics | Chipset | Intel® HD Graphics 500/505 |
| | Graphics Engine | 4K Codec Decode& Encode for H.264, MPEG2, MVC, VC-1, WMV9, H.265 / HEVC, VP9 |
| External IO | DP | 1 x DP, Max. 4096x 2160 @ 60Hz |
| | HDMI | 1 x HDMI, Max. 3840 x 2160@60 Hz |
| | Ethernet | 1 x RTL8111H GbE LAN (support Wake On Lan) |
| | USB | 2 x USB2.0, 2 x USB3.0 |
| | COM | 1 x RS-232 (Optional) |
| | Audio | 1 x Line-out, 1 x Mic-in, Realtek ALC 662, High definition Audio. |
| | TF Card | 1 |
| Expansion | M.2 E-Key | 1 x M.2 E-Key support Wi-Fi |
| Storage | eMMC | 8 GB, Max. 256GB |
| | M.2 | 1 x 2242 SSD |
| Power | Power Type | DC 12V, 2 A |
| OS | OS | Windows 10, centos 7/8, ubuntu 18.04/20.04/22.04 |
| Physical Characteristics | Construction | Aluminium Alloy |
| | Mounting | Wall Mounting |
| | Dimensions | 120 x 100 x 39mm (L x W x H) |
| | Weight | 0.57 kg |
| Certification | EMC | CE, FCC |
| Environment | Operating Temperature | -20 ~ 60 °C , airflow 0.7 m/s |
| | Storage Temperature | -40~80 °C |
| | Relative Humidity | 95% @ 40 °C(Non-Condensing) |
| | Vibration During Operation | With SSD: 3 Grms, IEC 60068-2-64, random vibration, 5~500 Hz, 1 hr/axis |
| | Shock During Operation | With SSD: 30 G, IEC 60068-2-27, half sine, 11m duration |
| | ESD | Contact +/-4 KV, Air +/-8 KV |

Dimensions 尺寸



Interface 接口



Ordering Information 订购信息

| Part Number | CPU | TDP | Base Frequency | Core | Thread | GbE | USB3.0 | USB2.0 | RS-232 | HDMI | DP | Wi-Fi | Power Input |
|-------------|---------------|-----|----------------|------|--------|-----|--------|--------|----------|------|----|----------|-------------|
| E300-01 | Celeron-N3350 | 6W | 1.10 GHz | 2 | 2 | 1 | 2 | 2 | Optional | 1 | 1 | Optional | DC 12V |
| E300-02 | Celeron-J3355 | 10W | 2.00 GHz | 2 | 2 | 1 | 2 | 2 | Optional | 1 | 1 | Optional | DC 12V |
| E300-03 | Celeron-J3455 | 10W | 1.50 GHz | 4 | 4 | 1 | 2 | 2 | Optional | 1 | 1 | Optional | DC 12V |
| E300-04 | Pentium-N4200 | 6W | 1.10 GHz | 4 | 4 | 1 | 2 | 2 | Optional | 1 | 1 | Optional | DC 12V |